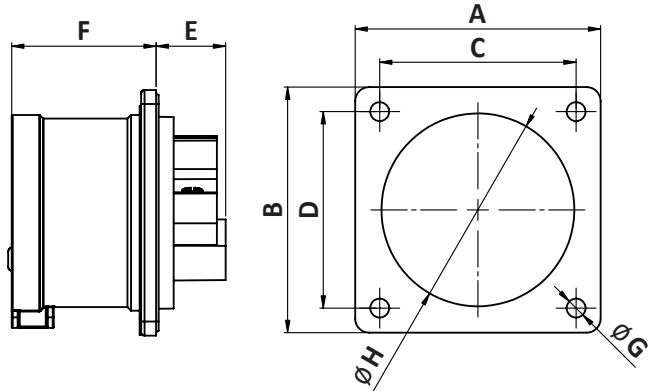


POWtec CEE Appliance Inlets, Straight IP44



- Splash-proof, IP44
- Screw terminals
- Brass contacts

^a = with 75 x 75mm Flange
^b = with 70 x 70mm Flange



Maximum Conductor Cross-section		
Current Rating	Flexible	Solid
16A	4mm ²	6mm ²
32A	6mm ²	10mm ²

Dimensions (mm)								
Poles	5 ^a	5 ^a	3 ^b	4 ^b	5 ^b	3 ^b	4 ^b	5 ^b
Current	16A	32A	16A			32A		
A and B	75	75	70	70	70	70	70	70
C and D	60	60	56	56	56	56	56	56
E	20	21	21	21	20	21	21	21
F	42	51	42	42	42	51	51	51
G	5.5	5.5	5.5	5.5	5.5	5.5	5.5	5.5
H	55	55	43	43	55	55	55	55
Weight (g)	121	170	86	101	118	125	145	165

Voltage		110 V~		230 V~		400 V~	
Frequency		50/60 Hz		50/60 Hz		50/60 Hz	
Designation		4h		3p = 6h 4p/5p = 9h		3p = 9h 4p/5p = 6h	
Current	Poles	Part No.		Part No.		Part No.	
16A	5 ^a	-	-	-	-	POWtecP-516R-P444	-
32A	5 ^a	-	-	-	-	POWtecP-532R-P444	-
16A	3 ^b	POWtecP-316Y-P244	-	POWtecP-316B-P244	-	-	-
16A	4 ^b	POWtecP-416Y-P244	-	POWtecP-416B-P244	-	POWtecP-416R-P244	-
16A	5 ^b	-	-	POWtecP-516B-P244	-	POWtecP-516R-P244	-
32A	3 ^b	POWtecP-332Y-P244	-	POWtecP-332B-P244	-	-	-
32A	4 ^b	POWtecP-432Y-P244	-	POWtecP-432B-P244	-	POWtecP-432R-P244	-
32A	5 ^b	-	-	POWtecP-532B-P244	-	POWtecP-532R-P244	-